



1LS9



Actual product appearance may vary.

Enclosed Switches Series LS: Side Rotary - Lever Not Included; 1NC 1NO SPDT Snap Action, Double Break; 0.5 in - 14NPT conduit; Compact/Non-Plug-in

Features

- Mode of operation is field adjustable
- NEMA 1, 3, 4, 6, and 13
- Wide choice of heads and actuators
- Variety of operating characteristics
- Captive screws
- UL and CSA approved parts available

Potential Applications

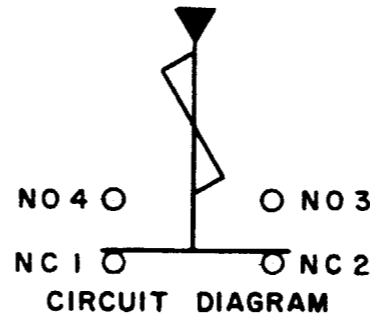
- Machine tools
- Conveyors
- Material handling
- Metal fabrication equipment
- Lift trucks

Description

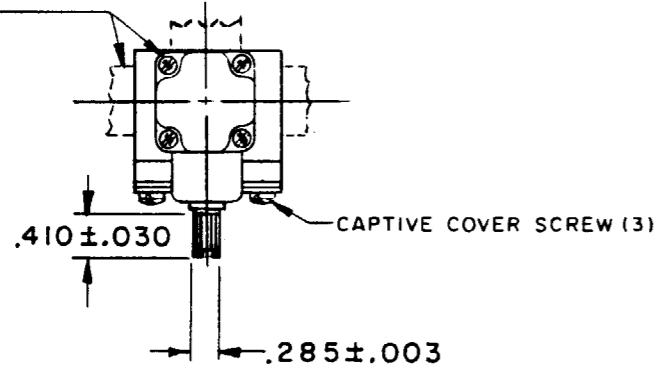
MICRO SWITCH™ compact LS and plug-in 200LS limit switches have a long record of successful performance in industrial applications. The MICRO SWITCH™ LS fits in many places too small for any other fully adjustable limit switch. The MICRO SWITCH™ 200LS switches are the original plug-in concept for reducing downtime by making changeover simple and fast.

| Product Specifications | |
|------------------------|---|
| Availability | Global |
| Operating Force (O.F.) | 0.51 N m max. [4.5 in lb max.] |
| Full Overtravel Force | 8.13 N m max. [6 in lb max.] |
| Release Force (R.F.) | 0.08 N m min. [0.75 in lb min.] |
| Pretravel (P.T.) | 5° max. |
| Overtravel (O.T.) | 30° min. |
| Product Type | MICRO SWITCH™ Compact Limit Switches |
| Actuator | Side Rotary |
| Lever Style | Lever Not Included - Reference Lever Required Accessory |
| Circuitry | 1NC 1NO SPDT Snap Action, Double-Break |

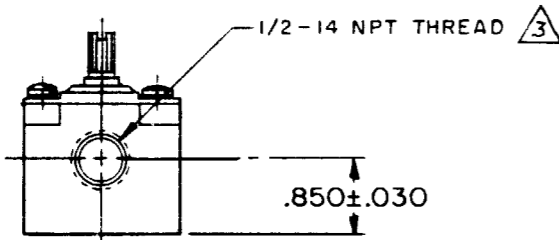
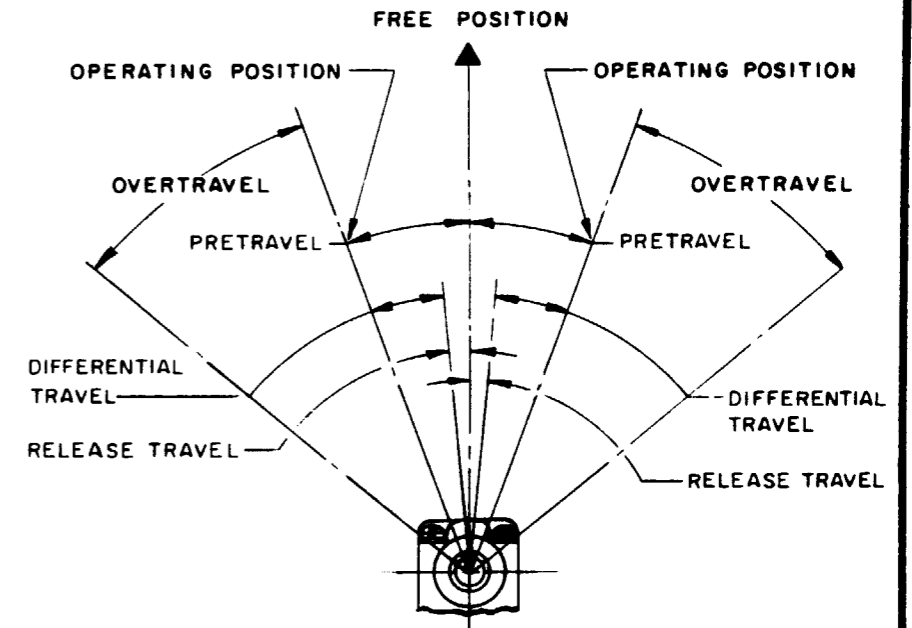
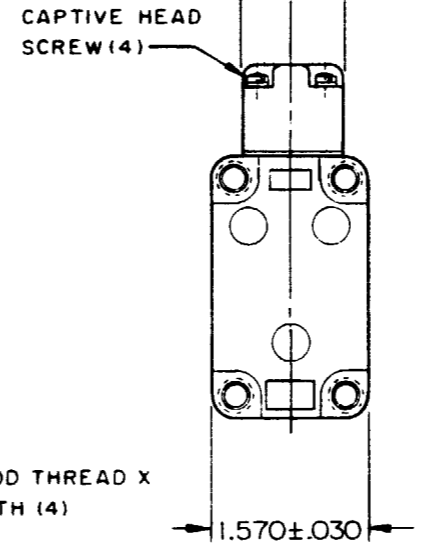
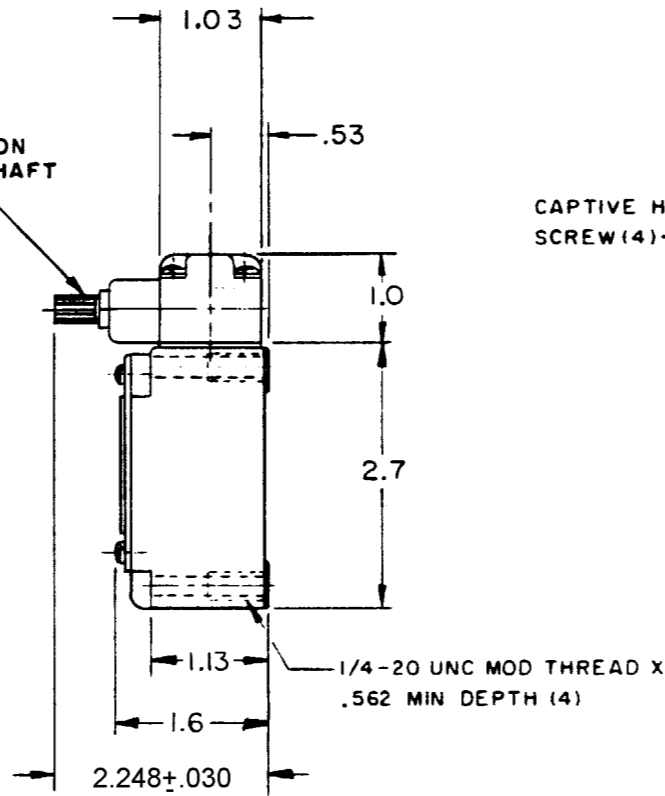
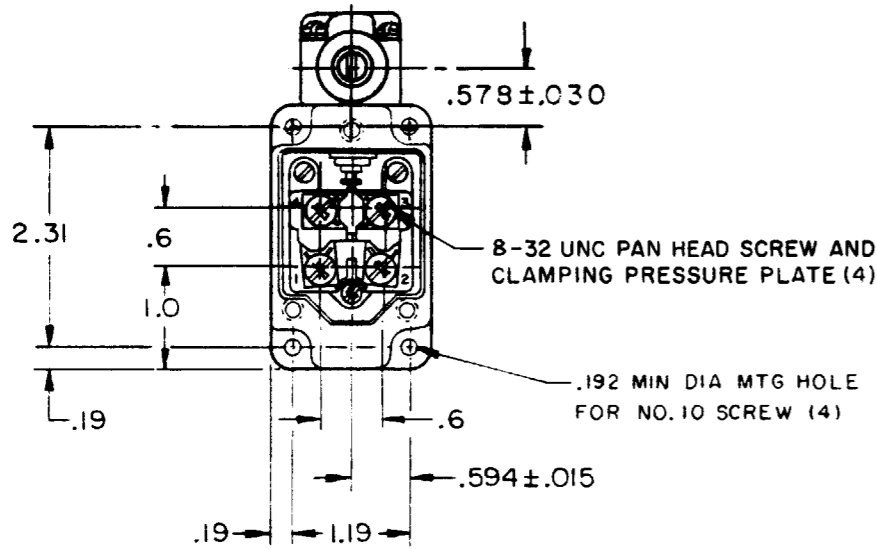
| | |
|-----------------------------|---|
| Ampere Rating | 10 A Ind. |
| Supply Voltage | 120 Vac. 240 Vac. 480 Vac |
| Housing Material | Zinc Die-Cast |
| Termination Type | 0.5 in - 14NPT conduit |
| Housing Type | Compact / Non Plug-In |
| Series Name | LS |
| Sealing | NEMA 1, 3, 4, 6, 13 |
| Operating Temperature Range | -29 °C to 71 °C [-20 °F to 160 °F] |
| Comment | Low Pretravel |
| UNSPSC Code | 302119 |
| UNSPSC Commodity | 302119 Switches and controls and relays |
| Sealed | Industrial |



OPERATING HEAD MOUNTS
 IN ANY OF FOUR
 POSITIONS



HARDENED CORROSION
 RESISTANT STEEL SHAFT
 STRAIGHT KNURL



THIS DRAWING COVERS A PROPRIETARY ITEM AND IS THE PROPERTY OF MICRO SWITCH, A DIVISION OF MINNEAPOLIS-HONEYWELL REGULATOR CO. THIS DRAWING IS NOT TO BE COPIED OR USED WITHOUT THE APPROVAL OF MICRO SWITCH.

| CHARACTERISTICS | ELECTRICAL DATA |
|--------------------------------------|--|
| OPERATING TORQUE — 4 1/2 IN LB MAX | CONTACT ARRANGEMENT (SEE CIRCUIT DIAGRAM) |
| FULL OVERTRAVEL TORQUE — 6 IN LB MAX | 10A - 120, 240 OR 480 VAC |
| RELEASE TORQUE — 3/4 IN LB MIN | 1/4 HP - 120 VAC; 1/2 HP - 240 VAC |
| PRETRAVEL — — — — — 5° MAX | PILOT DUTY: 600 VAG MAX |
| OVERTRAVEL — — — — — 30° MIN | |
| RELEASE TRAVEL — — — — — 0°30' MIN | |
| SWITCH-BASIC REPLACEMENT — — — 2MN8 | |

| SCALE 1/2 TO 1 |
|--------------------------|
| DO NOT SCALE PRINT |
| UNLESS OTHERWISE NOTED |
| DIMENSIONS ARE IN INCHES |
| TOLERANCES ARE: |
| ONE PLACE (.0) ±.030 |
| TWO PLACE (.00) ±.015 |
| THREE PLACE (.000) ±.008 |
| ANGLES ± |
| WEIGHT |

NOTES

- SWITCH IS ASSEMBLED FOR ACTUATION IN EITHER DIRECTION BUT MAY BE ADJUSTED TO ACTUATE THE SWITCH IN THE CLOCKWISE DIRECTION ONLY. THE COUNTERCLOCKWISE DIRECTION ONLY, OR IN BOTH DIRECTIONS
 - TO CONVERT SWITCH FOR ACTUATION IN EITHER THE CLOCKWISE OR COUNTERCLOCKWISE DIRECTION ONLY, REMOVE ACTUATOR HEAD AND ROTATE THE NOTCHED PLUNGER 90° TO THE RIGHT FOR CLOCKWISE ACTUATION OR 90° TO THE LEFT FOR COUNTERCLOCKWISE ACTUATION
- $\triangle 3$ SEAL TO BE FURNISHED BY USER

CATALOG LISTING 1LS9 PAGE 1 OF 1
 ISSUE 11
 REVISIONS
 A CO15200 M B F 18 JUNE 65
 B CO20324 W E B 13 OCT 66
 C CO23403 R E R 25 SEP 68
 D CO25152 D A W 17 APR 69
 E CO 50952-G W J M 25 JUN 83
 F CO 53005-D C J H 1 AUG 84
 G CO 77031 J D B 17 DEC 93
 H 202823 C S L 11 APR 01
 RASTER
 DRAWN
 M B F 18 JUNE 65
 FO-80378-003